

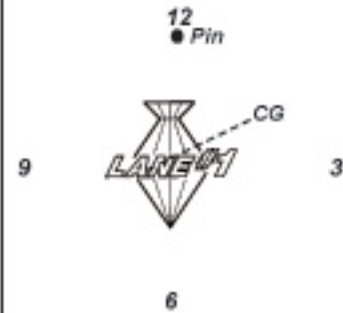


Super Carbide BOMB

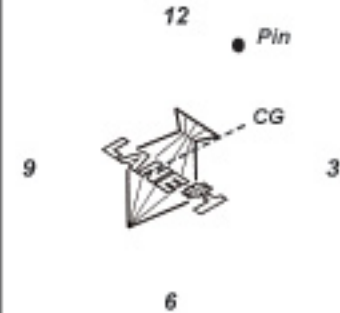
Drilling Specifications

Pin Position

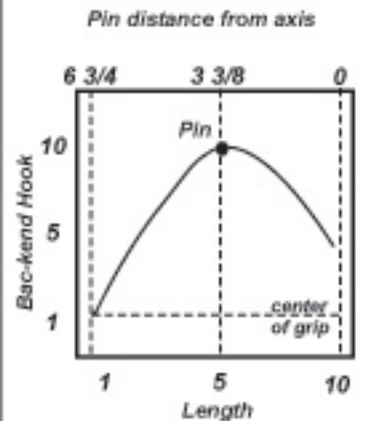
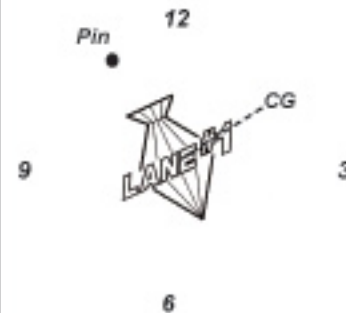
The Buzzsaw's 12:00 pin, relative to the CG, makes this ball driller friendly for right & left-hand bowlers.



Turning the pin towards 3 O'clock, relative to the CG, will increase length.



Turning the pin towards 9 O'clock, relative to the CG, will decrease length.



Drilling Recommendations

<p>Label</p> <p>Length 7 Back-end 8</p>	<p>Neg. Label</p> <p>Length 3 Back-end 5</p>	<p>Label "High Pin"</p> <p>Length 8 Back-end 9</p>	<p>CG Out Leverage</p> <p>Length 6 Back-end 7</p>
<p>Thumb Leverage</p> <p>Length 4 Back-end 8</p>	<p>CG Axis</p> <p>Length 5 Back-end 7</p>	<p>Full Roller</p> <p>Length 4 Back-end 9</p>	<p>Notes</p> <ol style="list-style-type: none"> 1. Pos. side, finger, & top wt., increase length and back-end. 2. Neg. side, thumb, & bottom, decrease length and back-end. 3. Axis holes decrease flare and back-end reaction. 4. Pin-in balls decrease length. 5. Pin-out balls increase length and flip. 6. If ending center of gravity is on your pin, CG or on the same rotational plane as those, reaction is enhanced.